

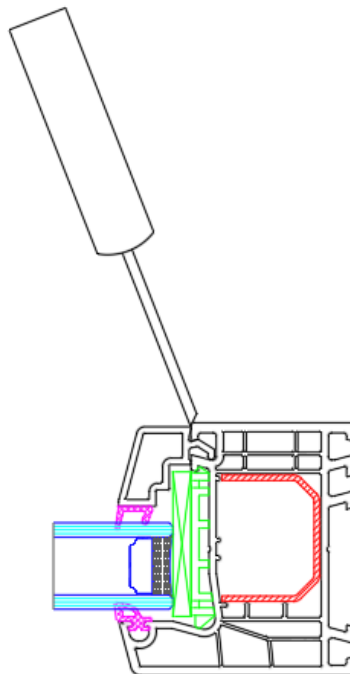
# EFS 5000 Static Mullion Field Assembly Instructions

## Window Preparation:

1. De-glaze one of the windows, using 1" rigid flat tool. (1-1 1/2" chisel putty knife, shown, is available at Home Depot. Store SKU: 720808)



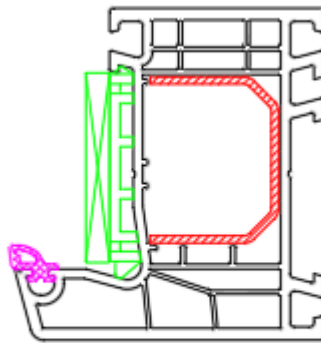
2. Start from the middle of the longest glaze bead and work your way towards the corners.



FRAME 1

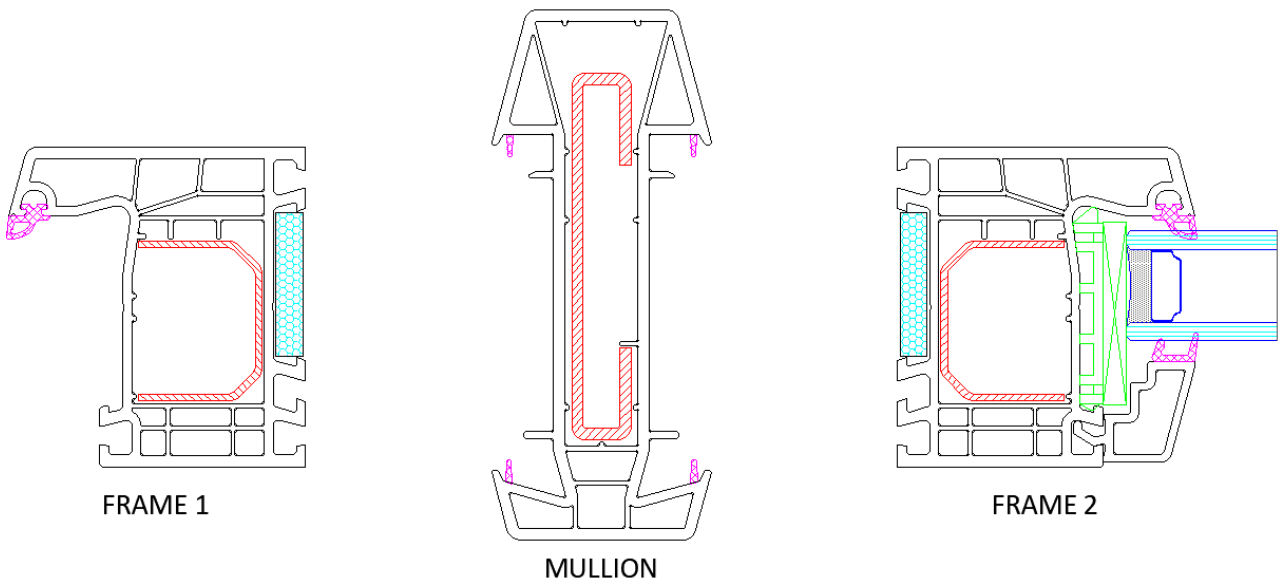
Place the glass in a safe place. Ensure the edges of the glass are supported or are sitting on soft material like rigid foam or wood. **DO NOT PLACE GLASS DIRECTLY ON CONCRETE OR AGAINST METAL STUDS.**

The frame should look like the picture below:



FRAME 1

3. Attach expandable weather proofing tape provided to the back of the frame on each window.



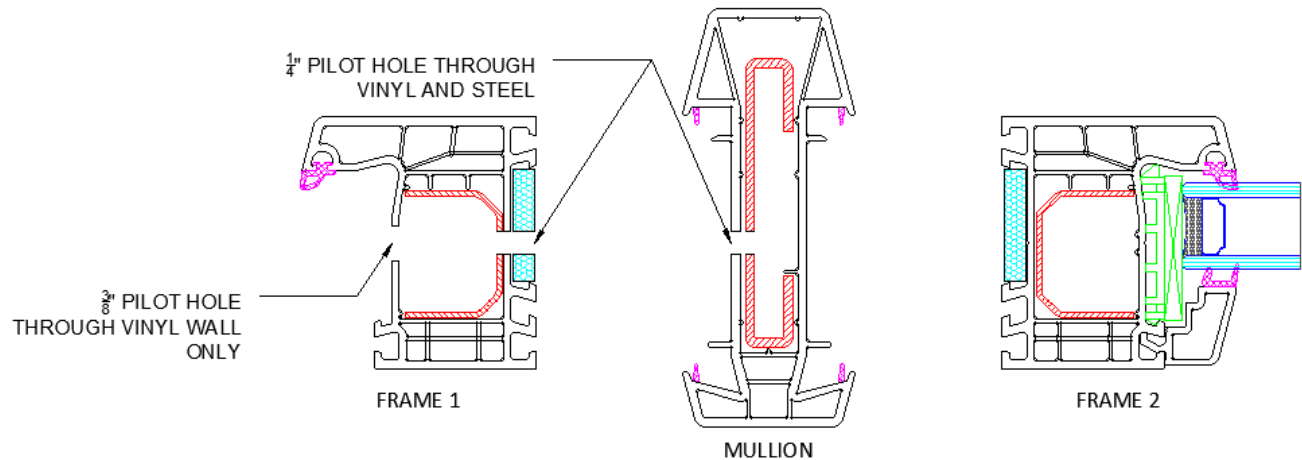
FRAME 1

MULLION

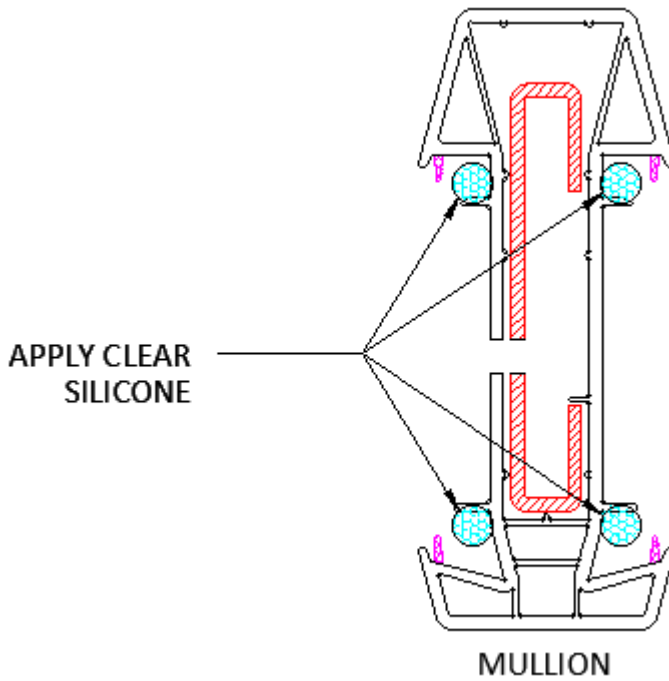
FRAME 2

## Window Installation:

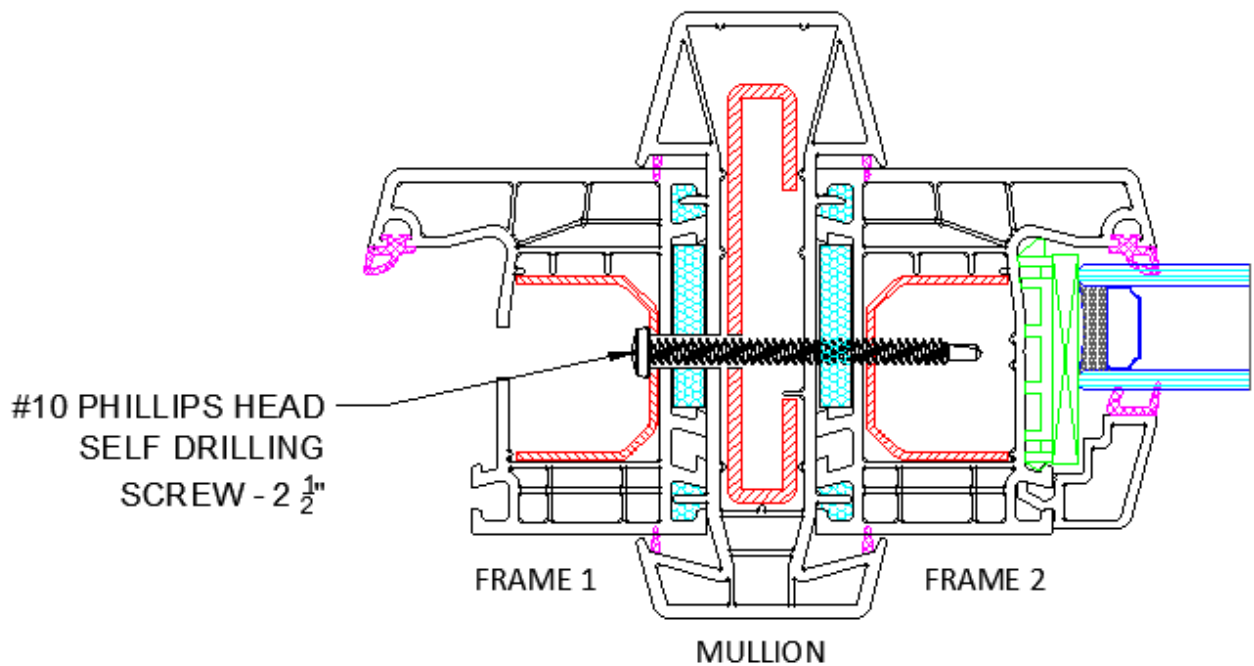
4. Drill pilot holes as shown in diagram below through frame 1 and mullion only. Please pay attention to hole size required. The wholes should be drilled 6" from top and bottom and 18" on center.



5. Apply clear silicone as shown below.

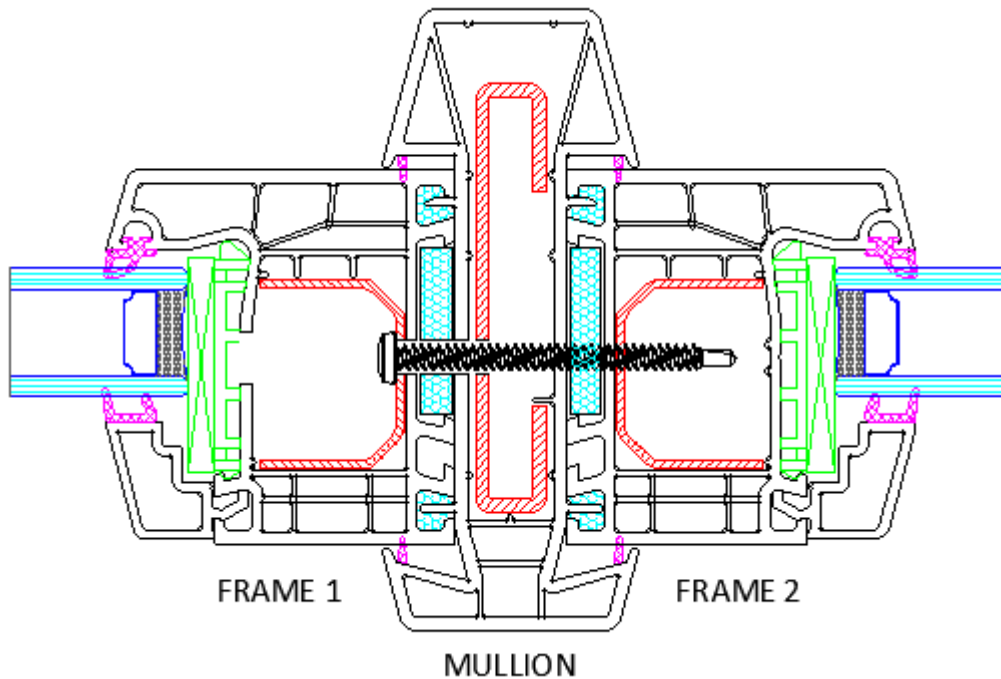


6. Assemble the units together. Secure with a #10 2 ½" Philips head self-drilling screw. Clean off excess silicone



7. Replace the glass and reinstall the glaze bead starting with the shortest followed by the longest lengths. Push in the corners first, then tap the glaze bead into place with a 12 ounce double-face soft hammer (available at Home Depot, store SKU: 806699).





8. Prepare window for installation by attaching installation clips or preparing nailfin. Be very careful when moving assembled unit around as corners near the mullion are susceptible to breakage. Seal off the top and bottom edge of the mullion with silicone.