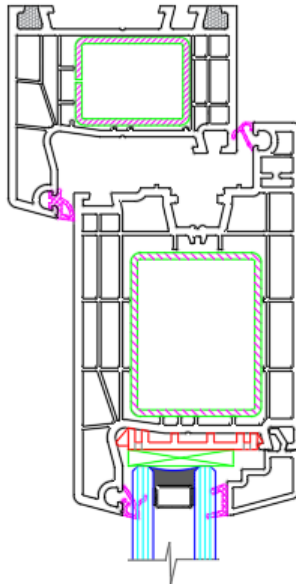
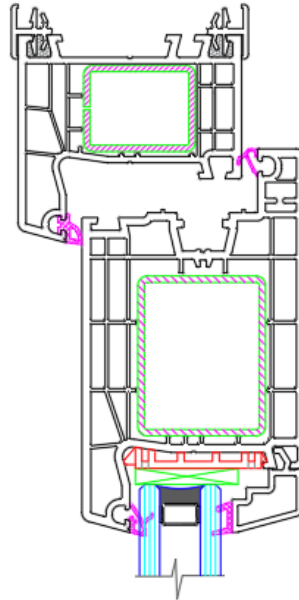


H-Connector Field Assembly Instructions

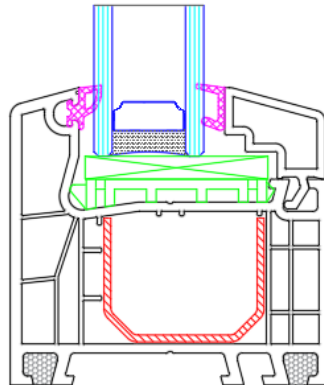
1. Use the GE 1000 Sealant to apply a continuous bead of sealant in the exterior and interior grooves of the head of the door block frame.



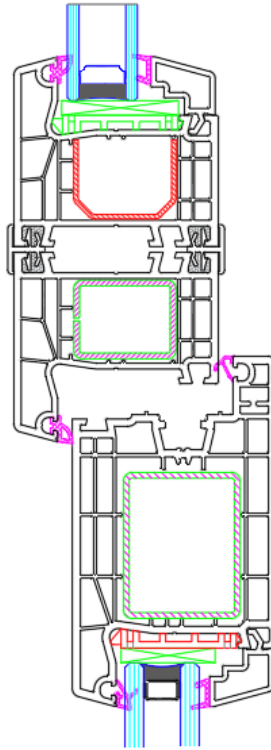
2. Place the H-Connector into the sealant. Ensure that there is no gap between the sealant and the H-connector.



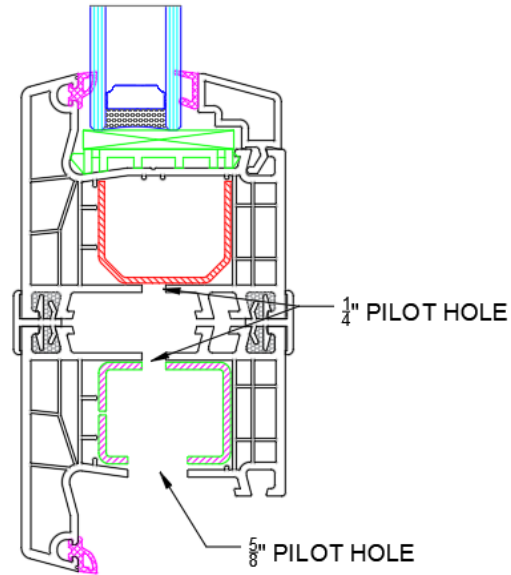
3. Use the GE 1000 sealant to run a continuous bead of sealant in the exterior and interior grooves of the sill of the transom block frame.



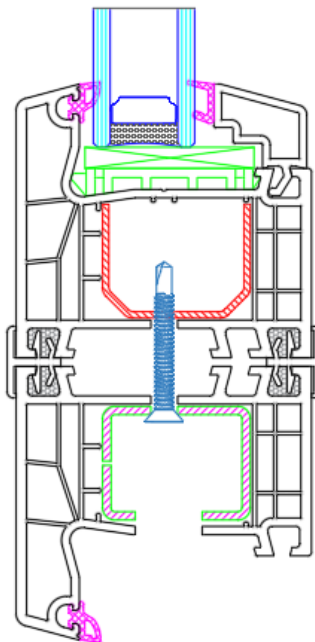
4. Connect the transom to the H-Connector and door frame.



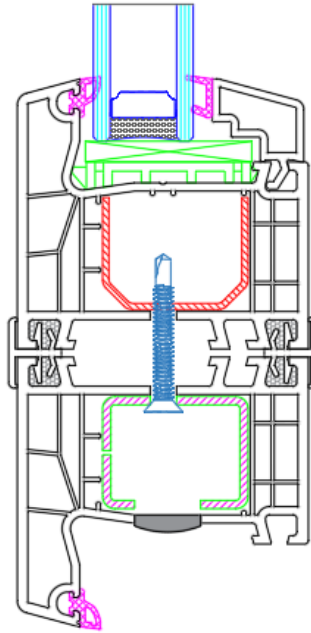
5. Ensure the transom is level in the H-Connector and door frame.
6. Open the door and drill a 5/8" pilot hole for the plug. Continue drilling into the door frame and transom a 1/4" pilot hole for a self-drilling screw.



7. Use a 1 1/2" self-drilling screw to fasten the door frame and transom together.



8. Place plug into the pilot hole.



9. Open and close the door to ensure that the plug is secure in place and does not obstruct operability.
10. If there is a side lite that is connected to the door, please see the expansion column field assembly instructions.